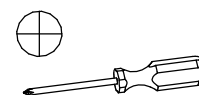
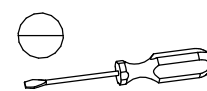
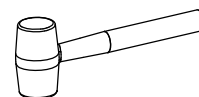


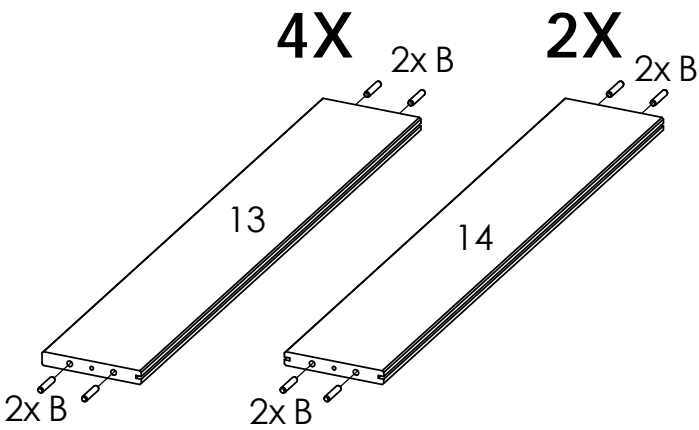
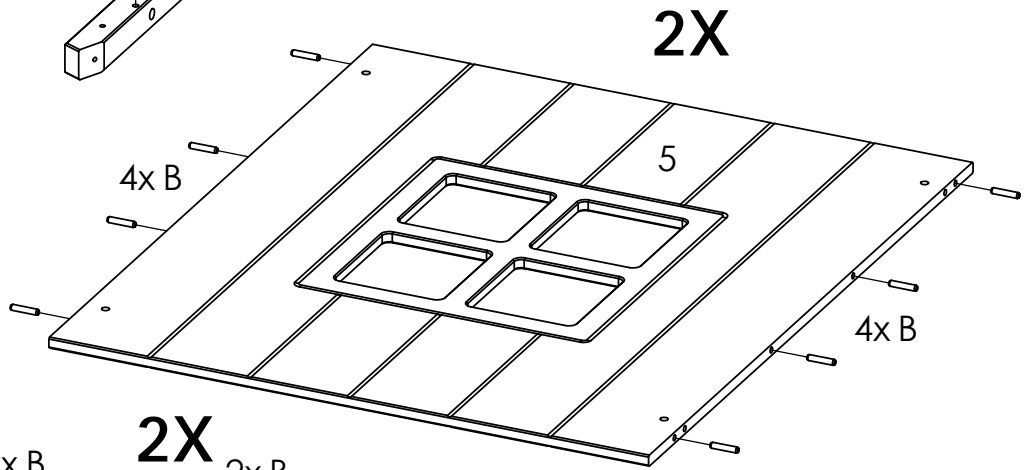
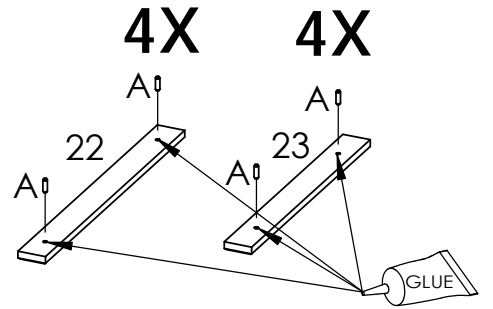
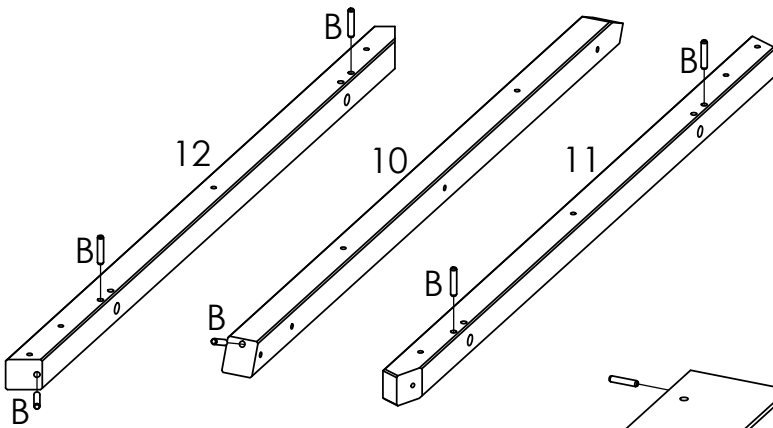
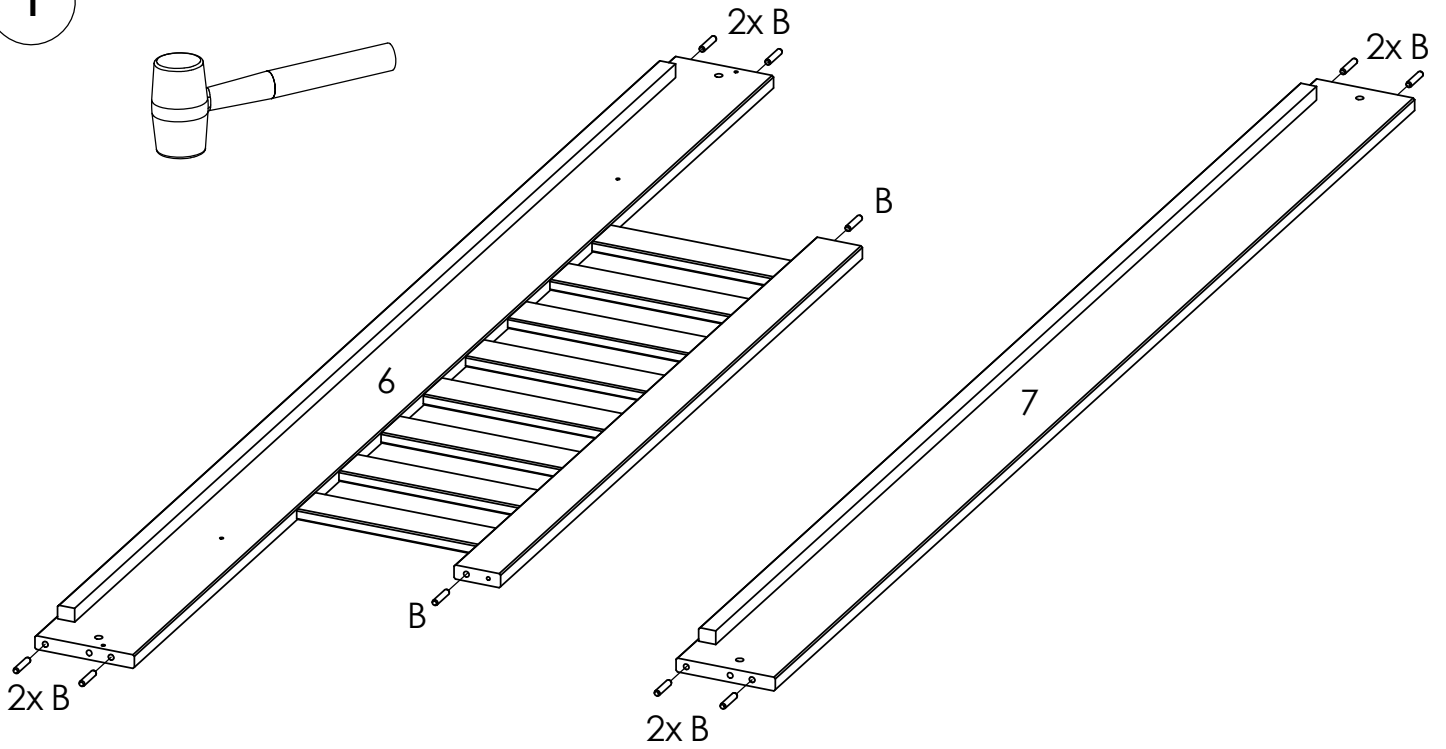
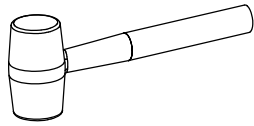
Tools needed  
(not supplied)



A		6X20	16
B		8X40	57
C		7X50	20
D		7X70	16
E		57x12,5x5,5	4
F		6,3X80	2
G		M6X8X15X15	4
H		M6X55	4
J		M6X80	16
K		M6X10X13	16
L		M10X12	4
M		D15x19	4
N		D9,8X37X60	4

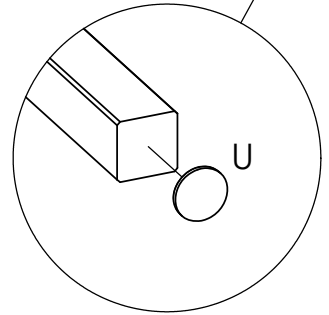
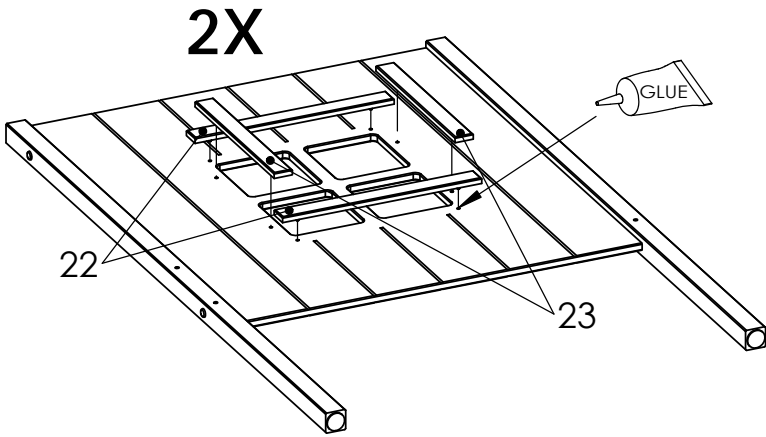
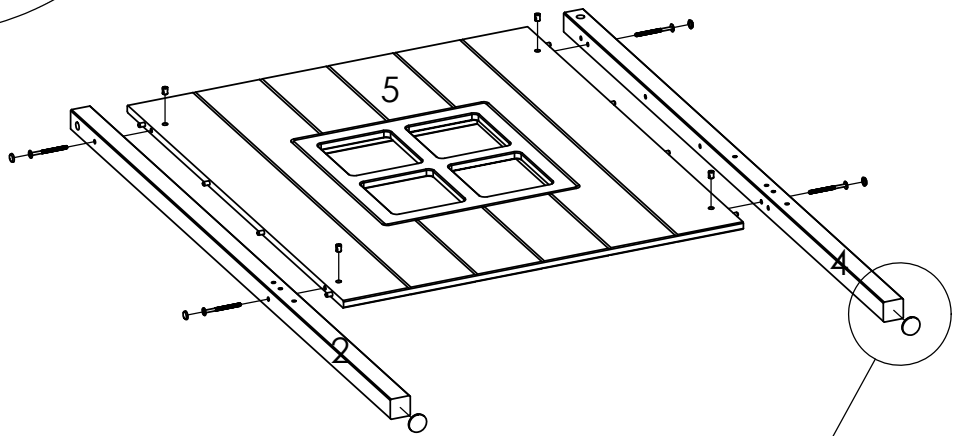
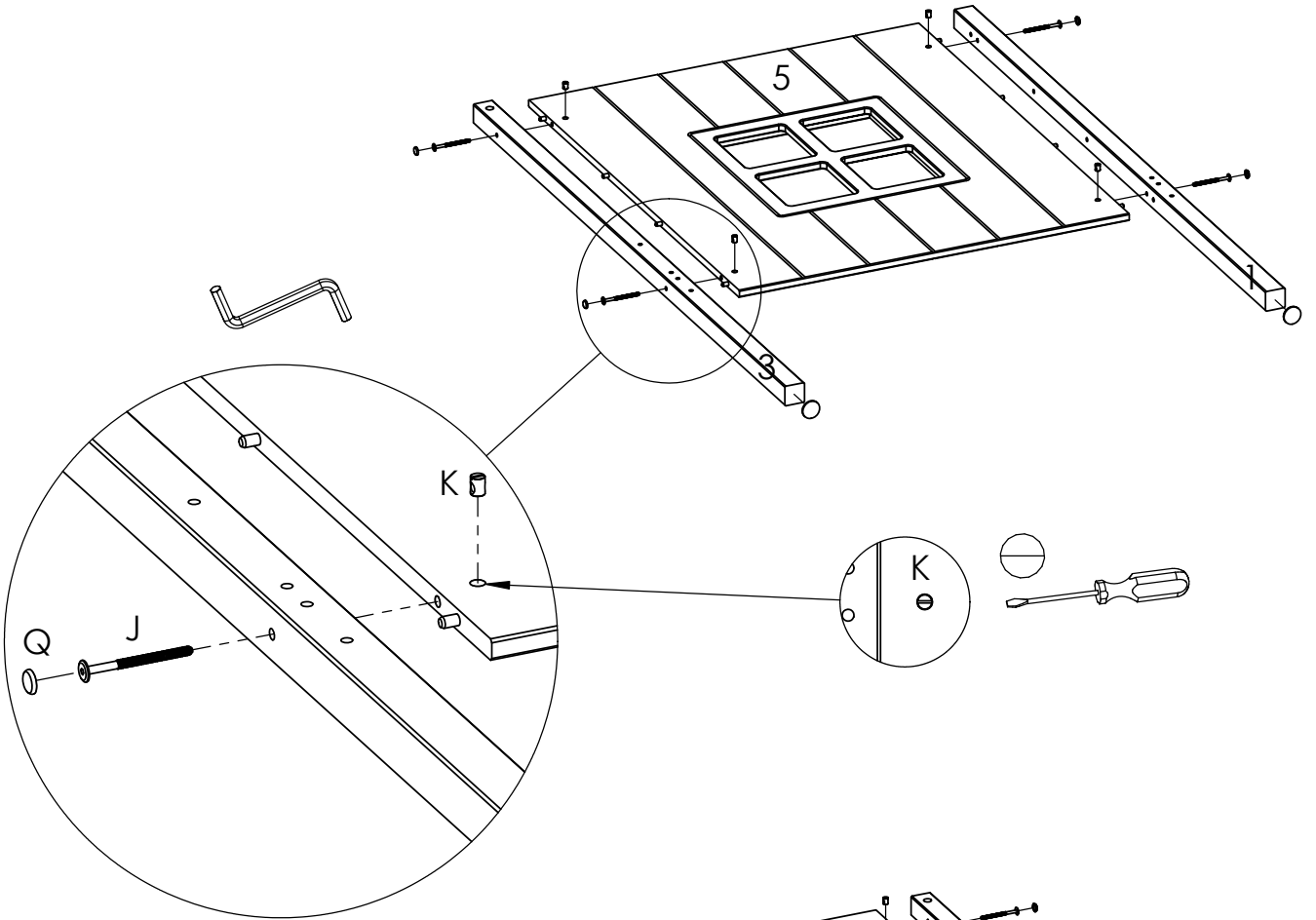
P		3,5X40	6
Q		D15X18	26
R		D4X13	28
S		D20	18
T		D17X3	8
U		D38X3	4
V		4mm	2
W		6,1X24X35	4
Y		15X12	4
Z		7x60	1
Aa		D14x13,5	2
Ba		M8x8	2
		Glue	1



1





A		6X20	16
B		8X40	56

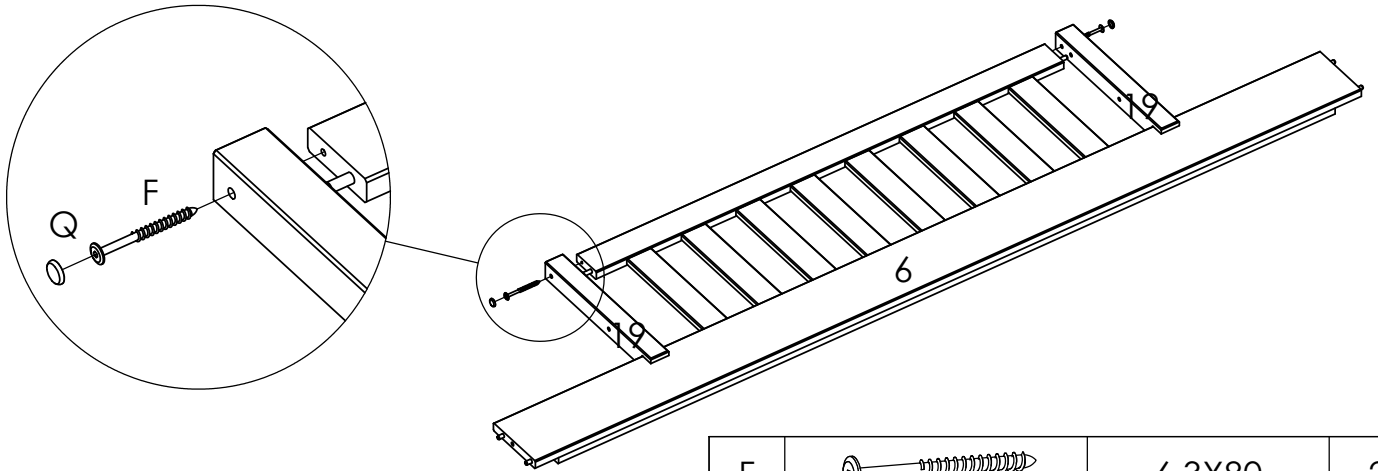
2

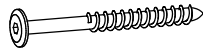



J		M6X80	8
K		M6X10X13	8

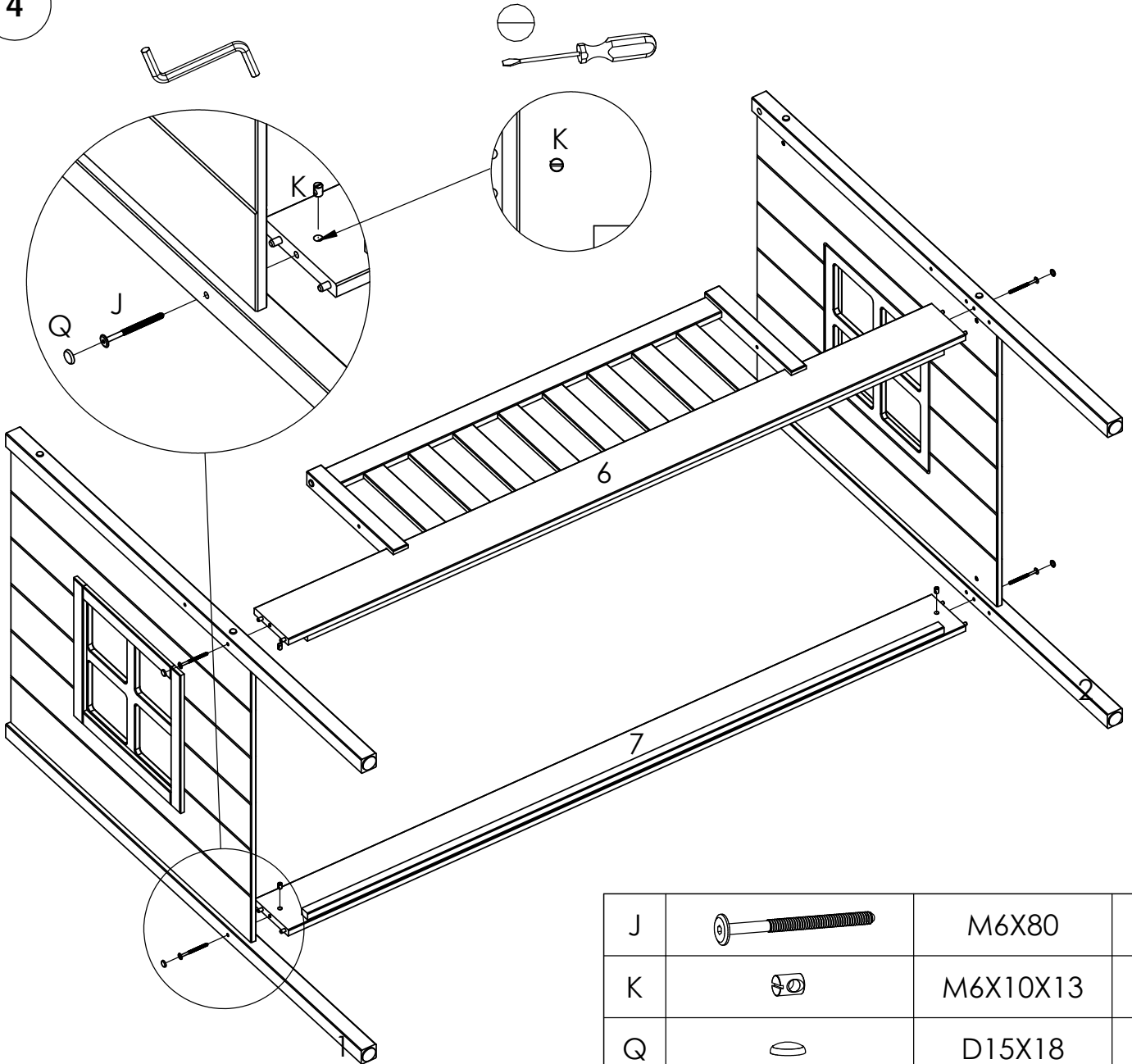
Q		D15X18	8
U		D38X3	4

3



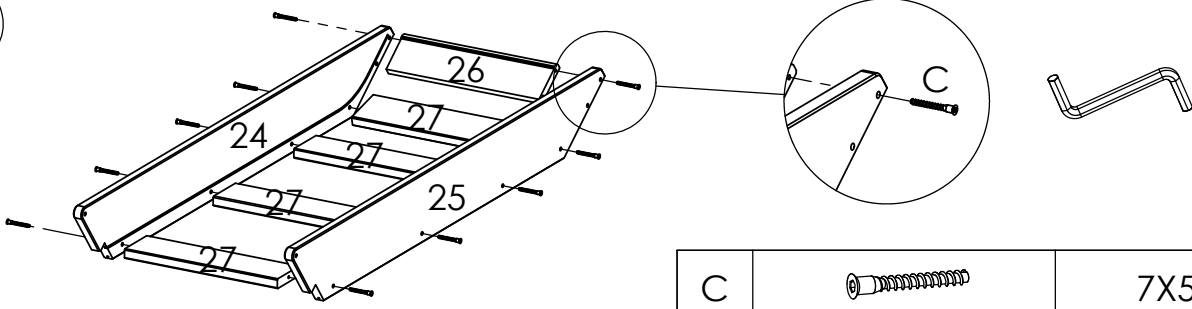
F		6,3X80	2
Q		D15X18	2

4

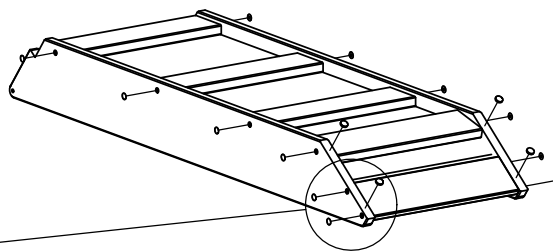
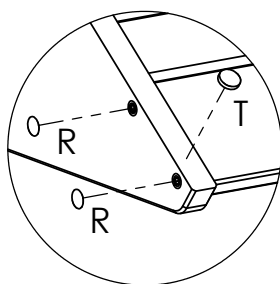
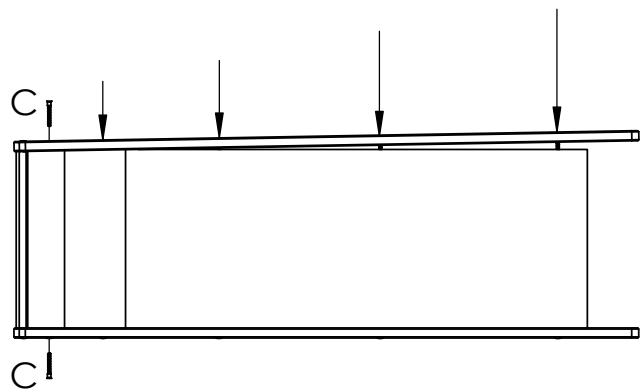
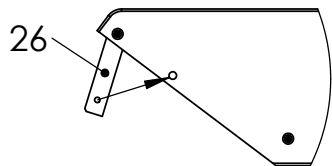
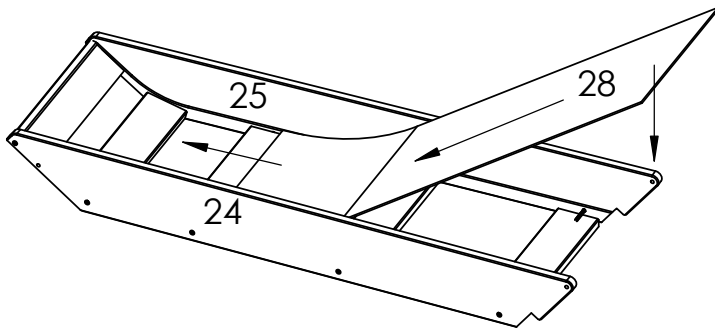
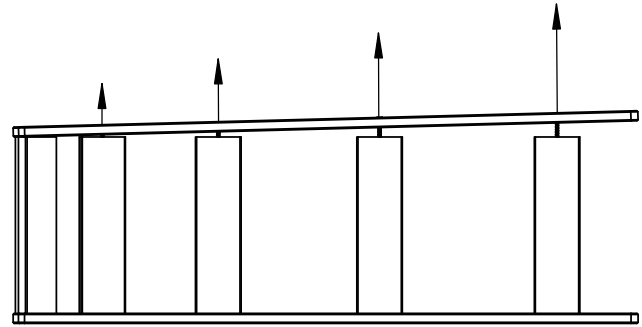
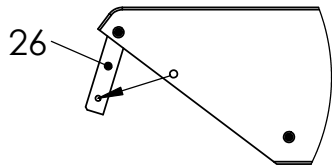


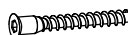


J		M6X80	4
K		M6X10X13	4
Q		D15X18	4

5

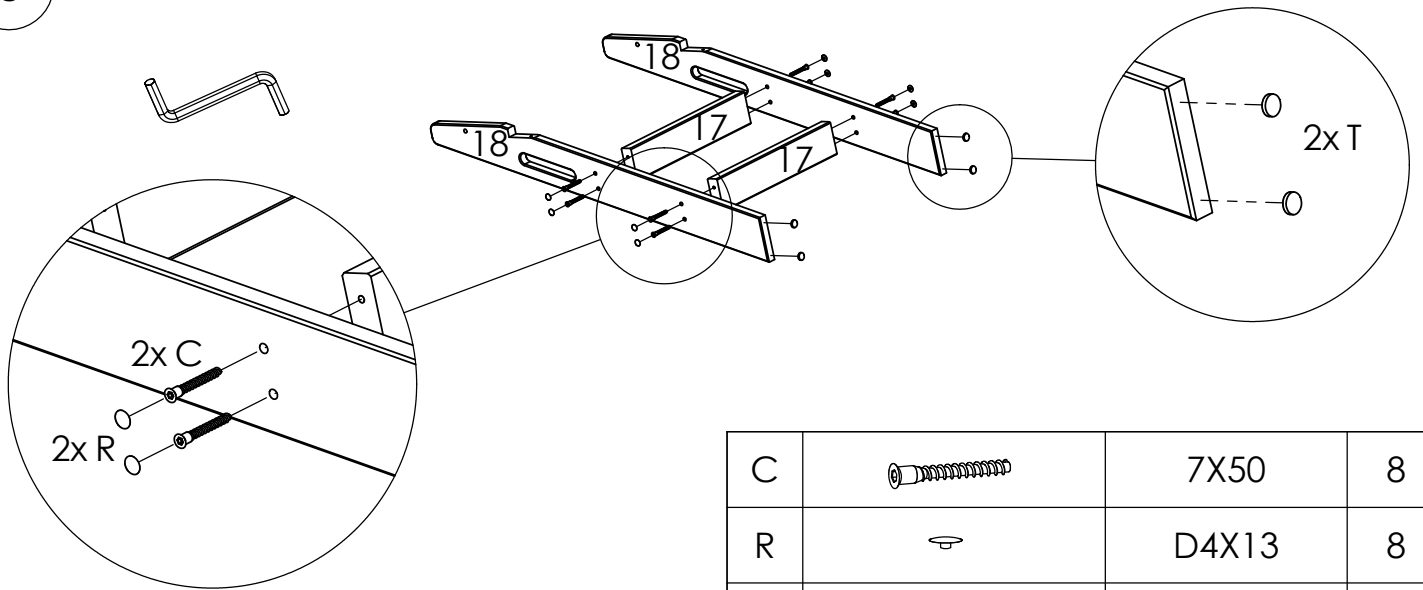





C		7X50	10
---	--	------	----



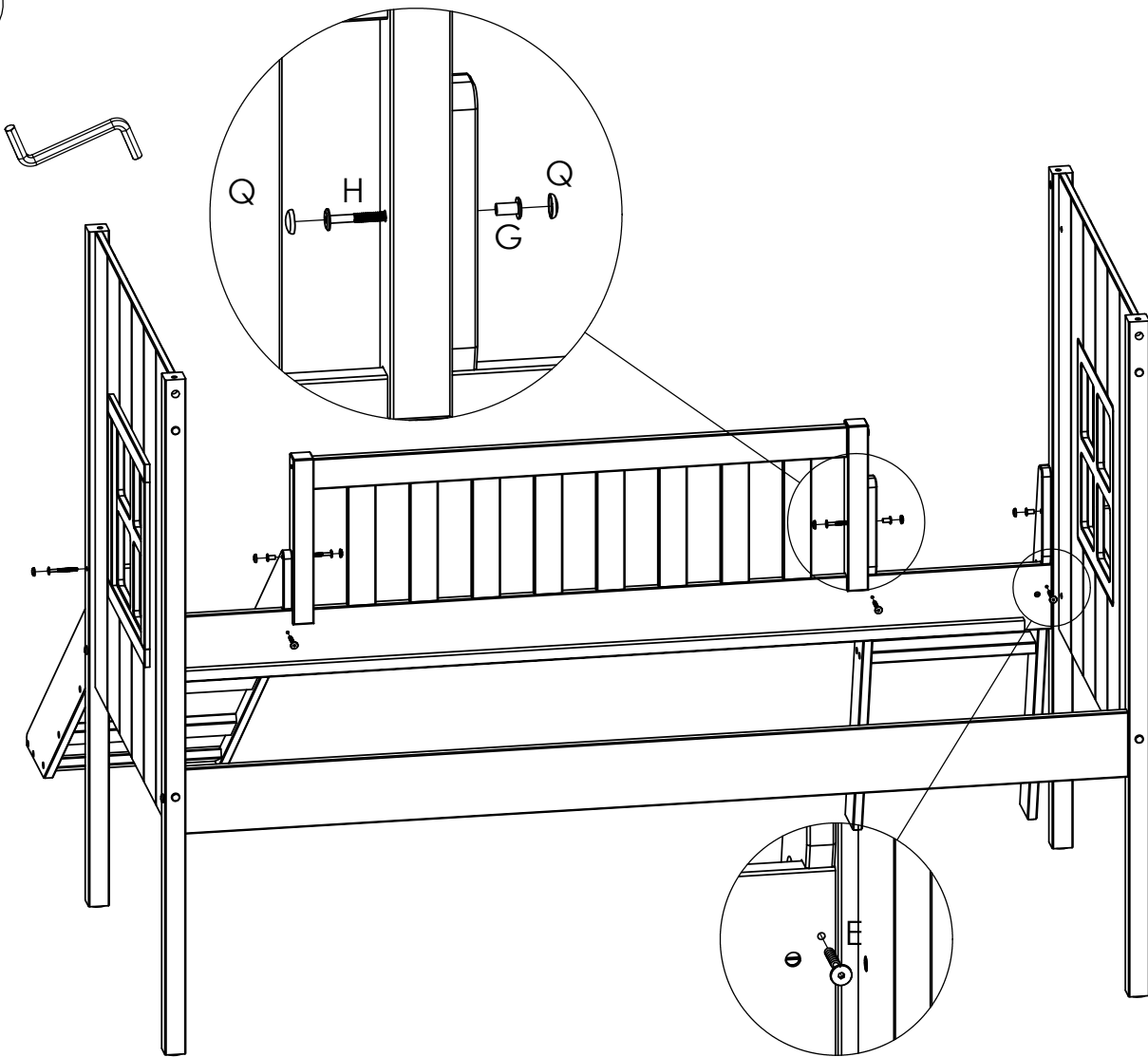
C		7X50	2
R		D4X13	12
T		D17X3	4

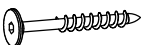
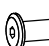
6





C		7X50	8
R		D4X13	8
T		D17X3	4

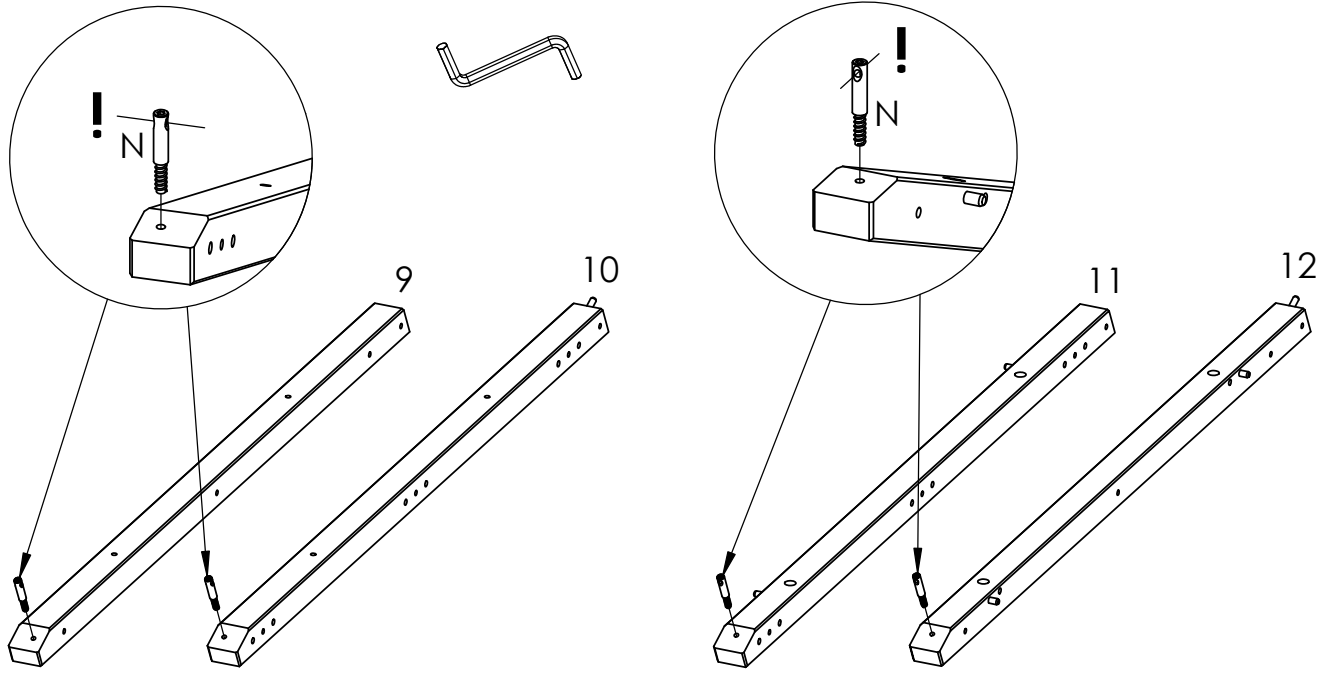
7




E		57x12,5x5,5	4
G		M6X8X15X15	4

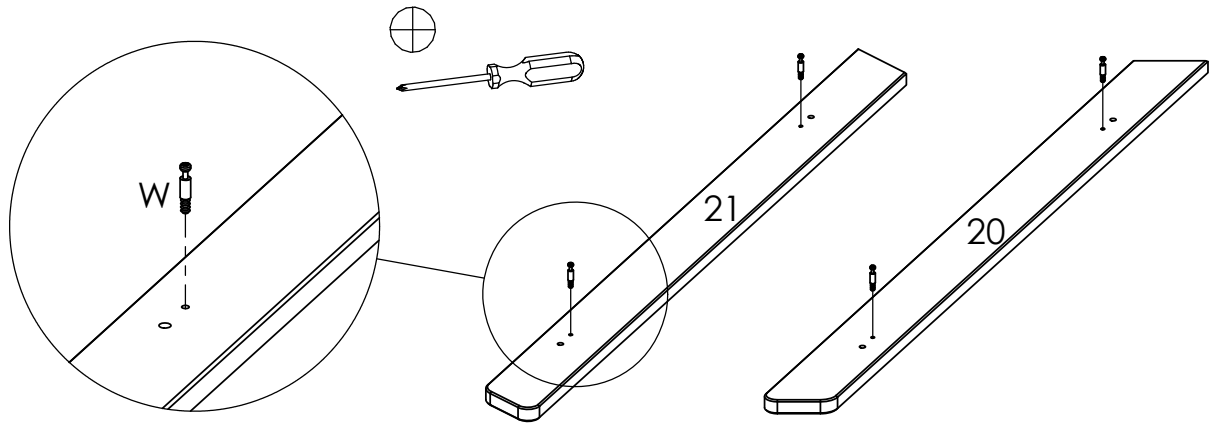
H		M6X55	4
Q		D15X18	8

8

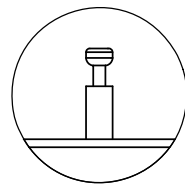
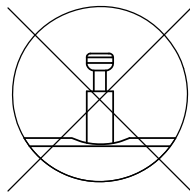
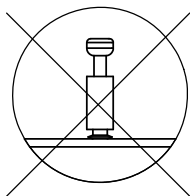


N		D9,8X37X60	4
---	---	------------	---

9

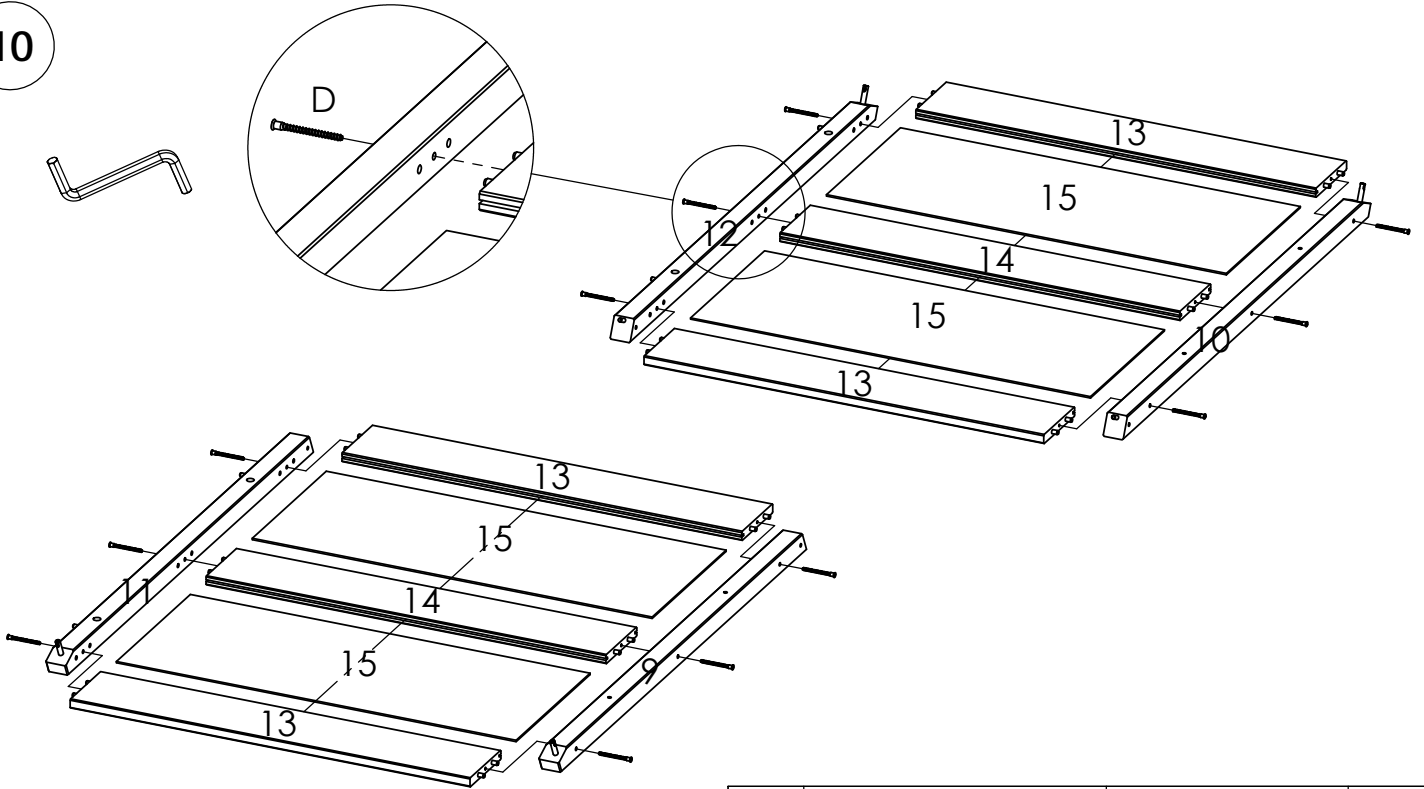



**OK!**



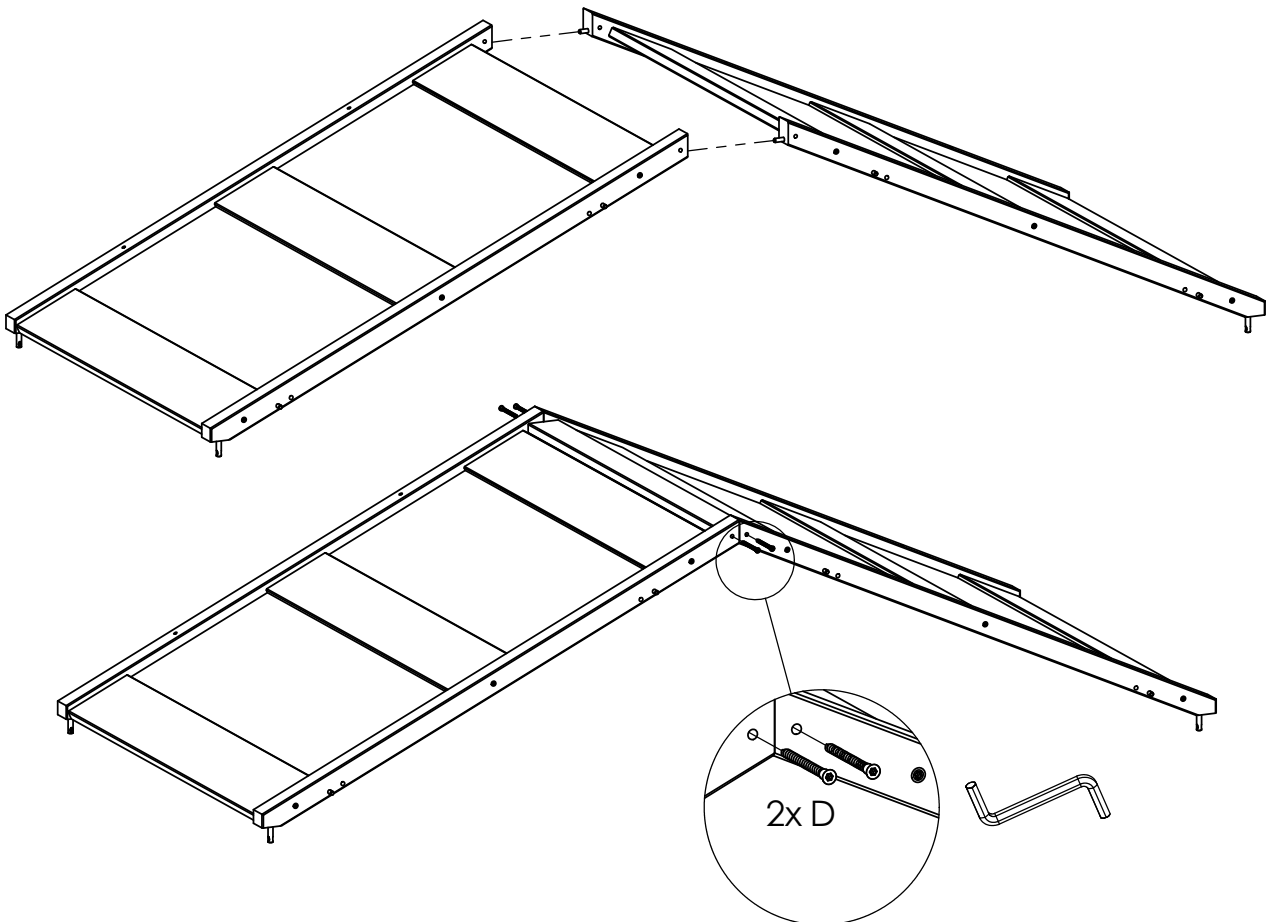
W		6,1X24X35	4
---	---	-----------	---


10



D		7X70	12
---	--	------	----

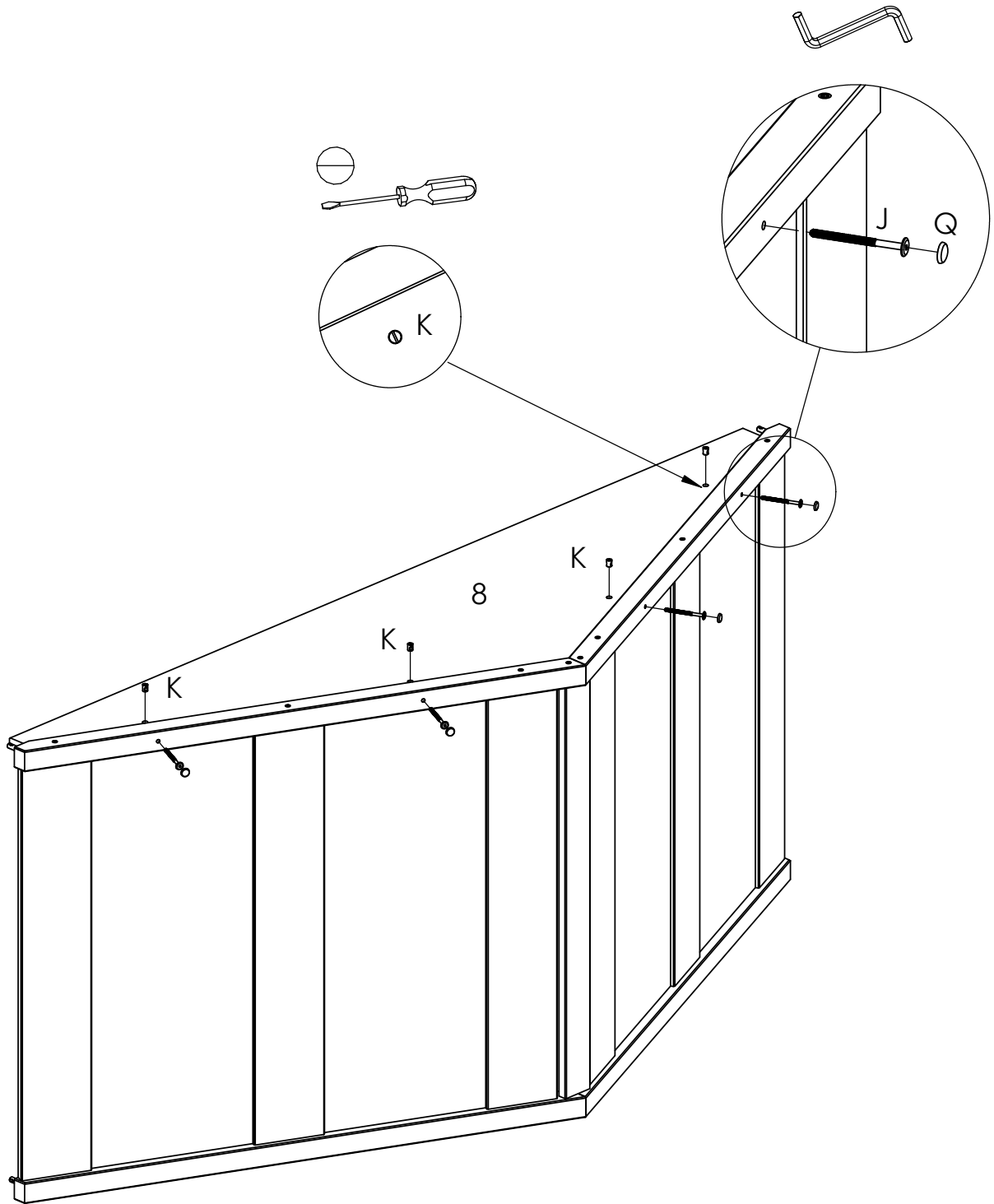
11



D		7X70	4
---	--	------	---

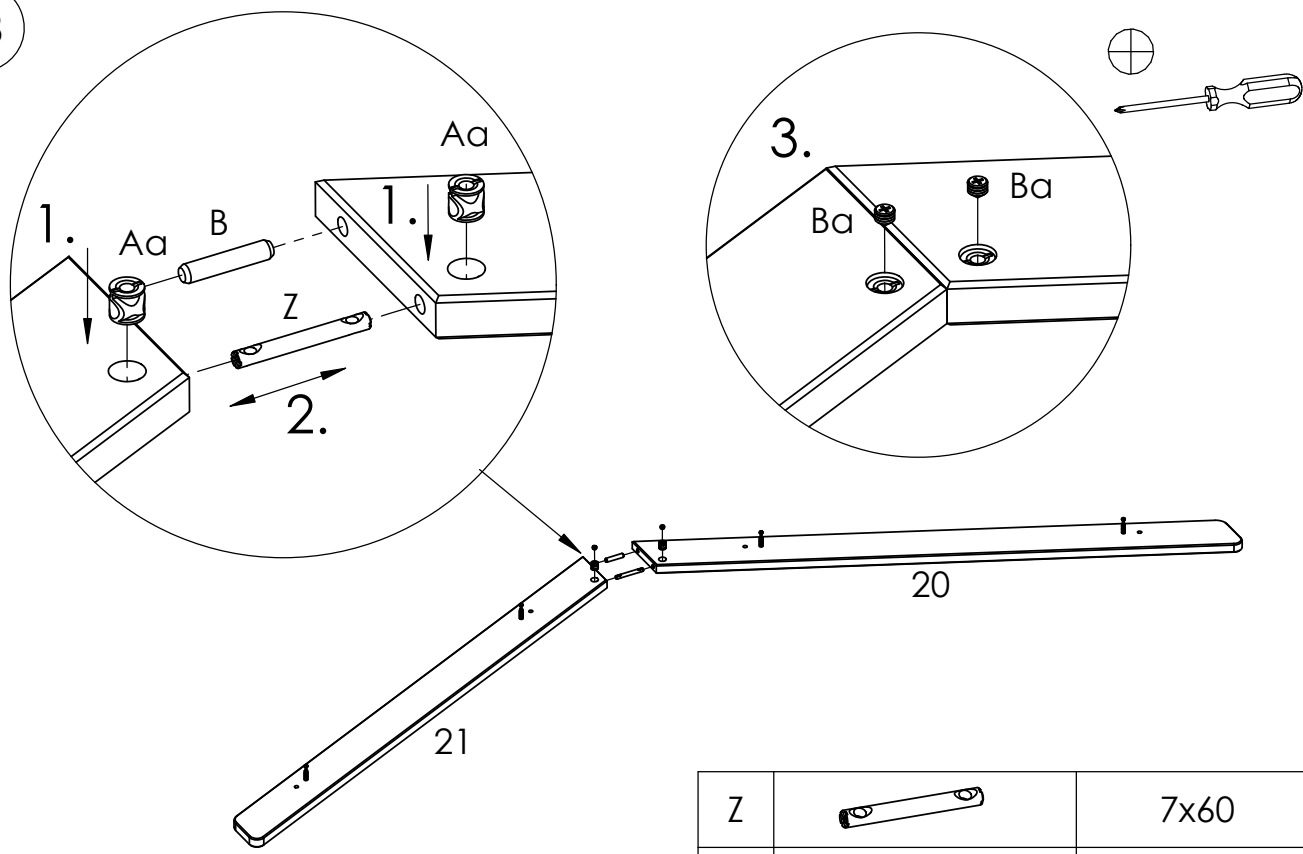


12



J		M6X80	4
K		M6X10X13	4
Q		D15X18	4

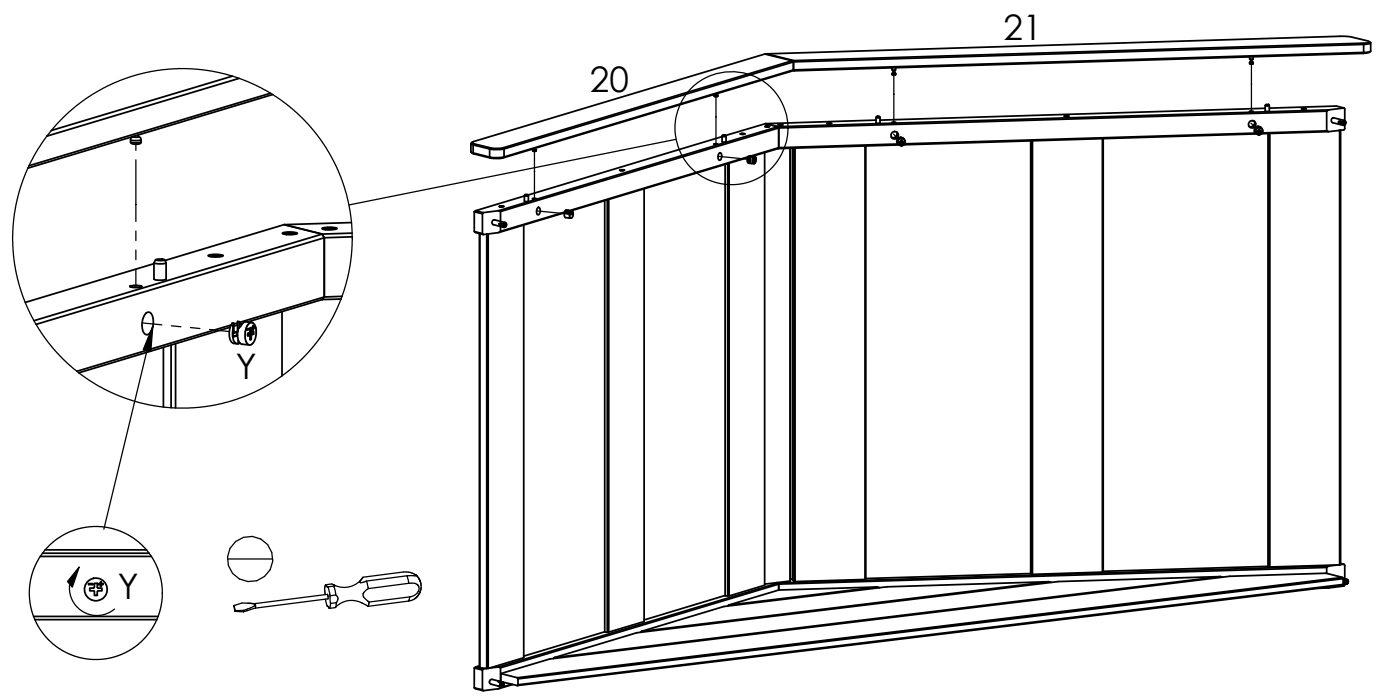
13



Z		7x60	1
Aa		D14x13,5	2
Ba		M8x8	2

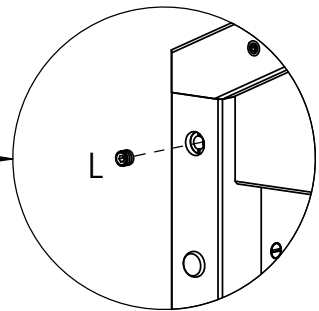
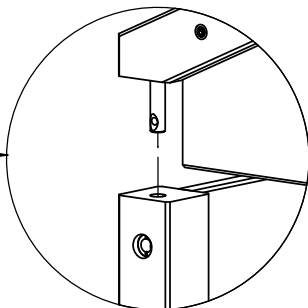
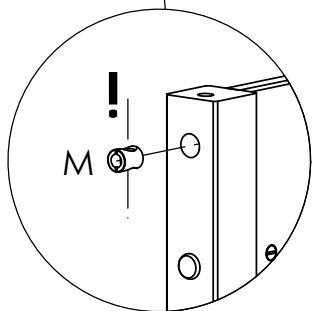
B		8x40	1
---	--	------	---



14



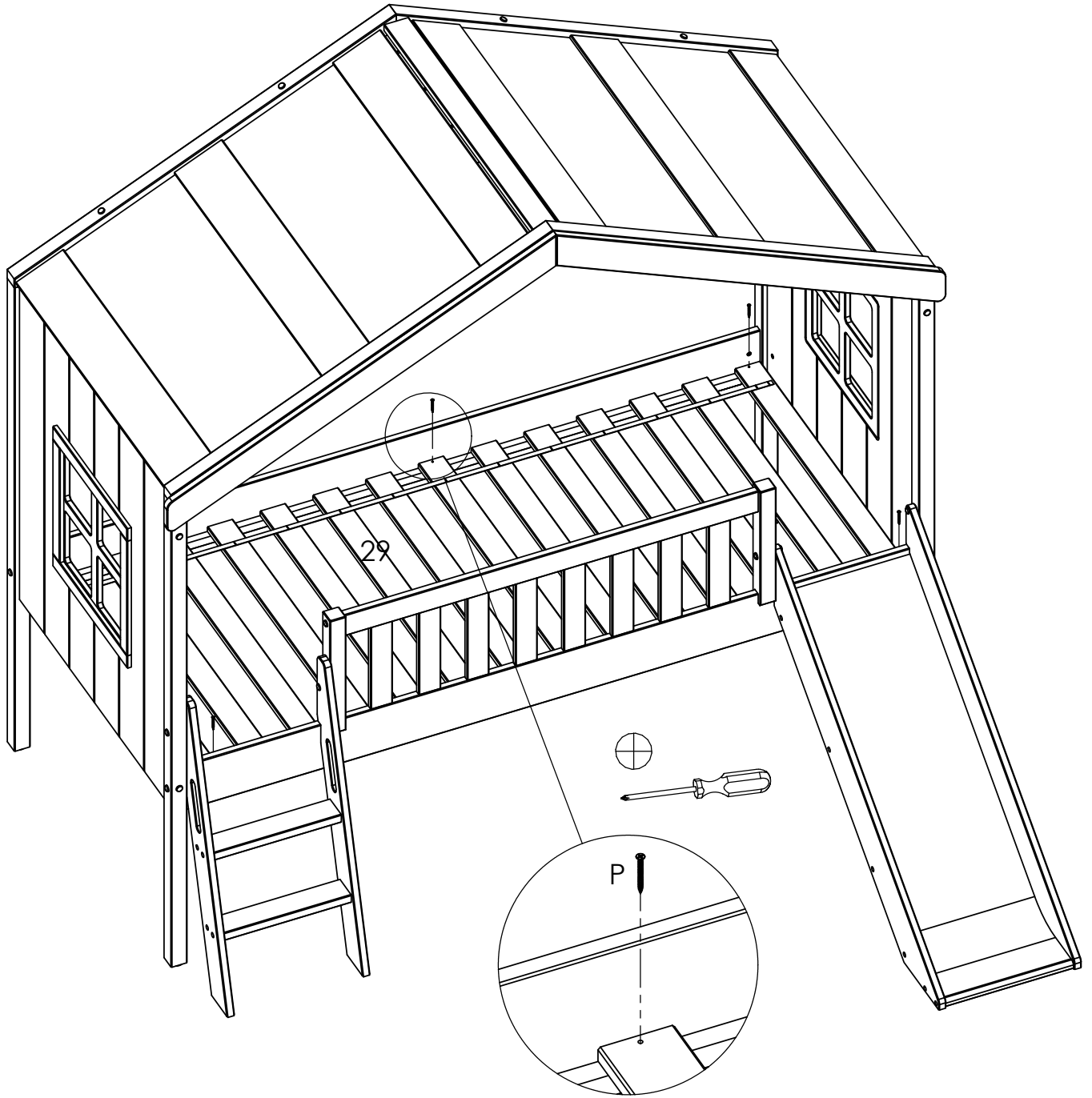
Y		15x12	4
---	--	-------	---


15



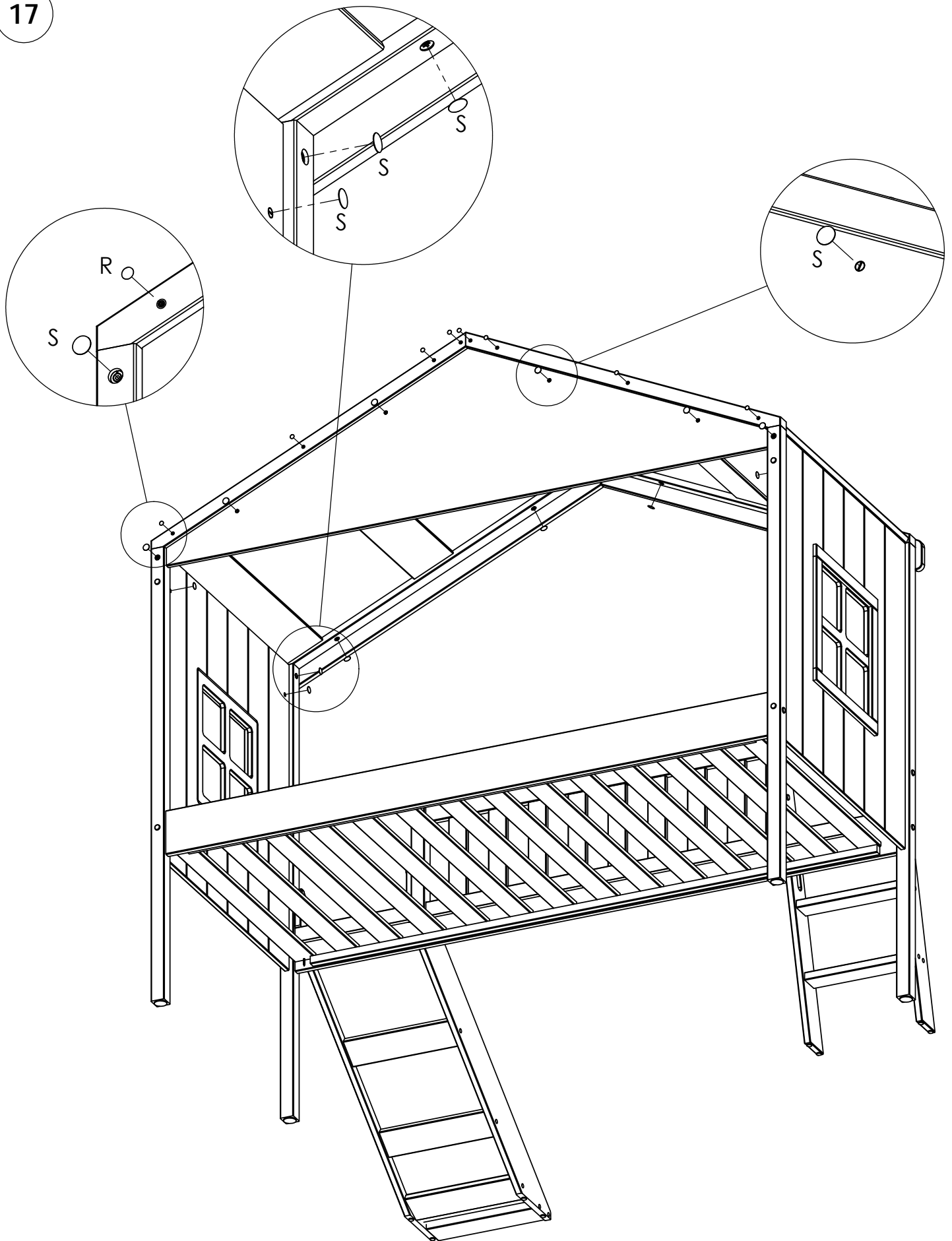
L		M10X12	4
M		D15x19	4

16



P		3,5X40	6
---	--	--------	---

17



R		D4X13	8
S		D20	18